

IPDE-IOM-20K-BALL-VALVE
Effective: ISS - : November 2021 Ver1.



Installation and Operation Manual 20K Ball Valves



ENGINEERING YOUR SUCCESS.



Installation and Operation Manual 20K Ball Valves

Parker Hannifin

Parker Hannifin (IPDE)
Riverside Road, Barnstaple, Devon, EX31 1NP United Kingdom
Telephone: (01271) 313131
E-mail: IPDE.Technical@support.parker.com

IDENTIFICATION OF HAZARDS

NEVER adjust valves under pressure.
NEVER slacken or remove any valve parts under pressure.
NEVER use any mechanical aids i.e. wrenches, extensions to operate handles.
NEVER carry valves by the handle.
NEVER obscure valve body marking.
NEVER remove end connectors.

INSTALLATION

Wear suitable PPE before installation and follow appropriate site safety procedures.

Before installation, ensure that all valves are in the closed position.

Phastite: Assembly instructions can be found in Catalogue 4235-PH & BULLETIN 5909

Cone and Thread: Assembly instructions and Torques can be found in Catalogue 02-0124SE

MPI: Assembly instructions can be found in Catalogue 4234-MA

Care should be taken to ensure that the end connector (9) is firmly held by an appropriate spanner / wrench (size varies depending on size of valve) to prevent any movement when assembling or disassembling connections.

(See Catalogue 4190-HH/20K for full product offering)

HANDLING AND STORAGE

Handling

Do not lift or carry by the operating handles, as this may cause damage.

Storage

There is no specified shelf-life.

Boxed products should be stored in a covered area, preferably indoors, and away from excessive moisture, heat, or airborne contaminants.

The use of desiccant or corrosion inhibitors is not required during normal storage periods.



Installation and Operation Manual 20K Ball Valves

OPERATION

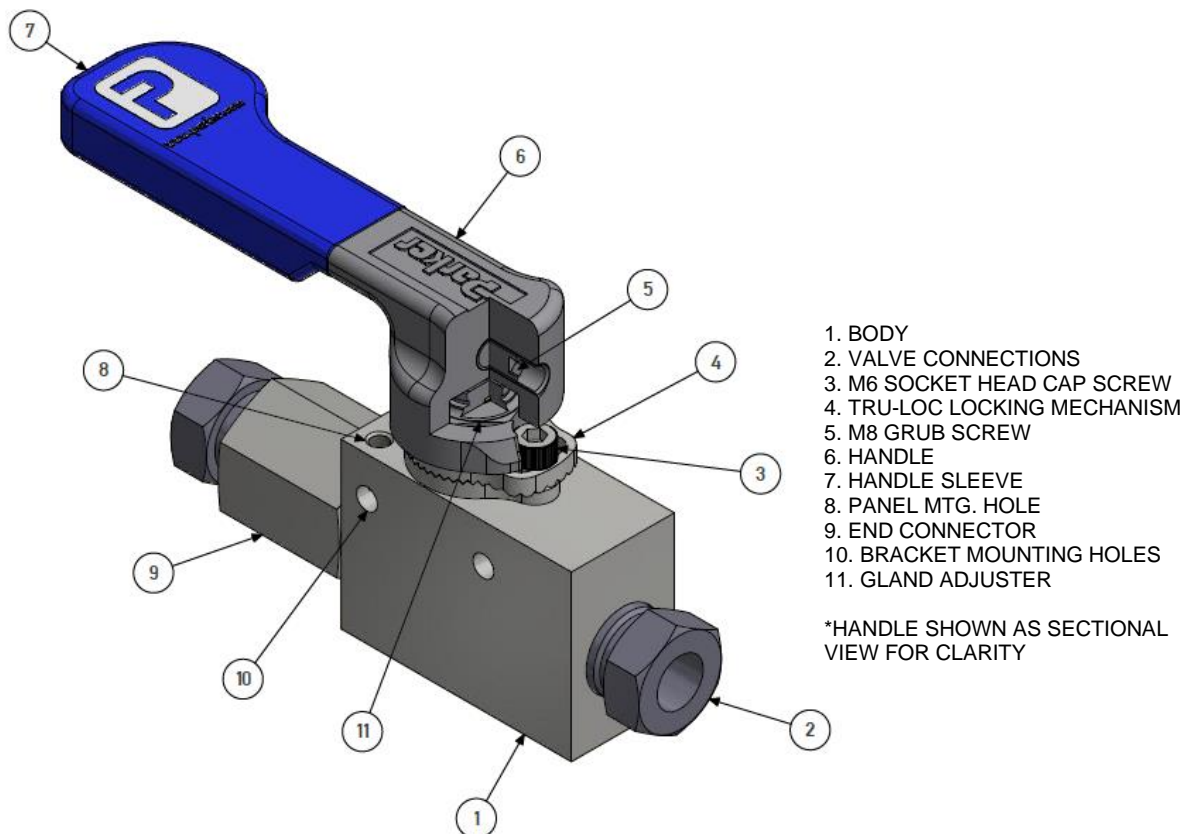
Ball Valve:

To close: Operate the handle (6) until it is at 90° from the valve body centreline.

To open: Operate the handle (6) until it is in line with the centreline of the body and reaches the mechanical stop (3).

Movement is limited to 90° by a mechanical stop.

Ball valves should always be fully open or fully closed. Do not leave in a mid-position.



MAINTENANCE

Parker 20K Ball Valves are supplied ready for service at their rated design pressure and should not normally require adjustment.

Gland adjustment becomes necessary when the valve is visibly leaking via the gland adjuster (11).

20K Ball Valve Gland Adjustment.

CAUTION: Adjustment of the gland must be carried out at zero pressure

1. Fully open the valve by operating the handle (6) until it is in line with the centreline of the body.
 2. Unscrew Grub Screw (5) on handle (6) and remove handle from stem.
 3. Unscrew Socket Head Cap Screw (3) from Tru-Loc Plate and remove Tru-Loc Mechanism (4).
 4. Tighten Gland Nut (11) to 45 Nm
 5. Re-fit Tru-Loc plates (4) and secure in position with Socket Head Cap Screw (3) to 7.9 Nm.
 6. Re-fit handle (6) onto stem and secure into position with Grub Screw (5) to 9 Nm.
-

Installation and Operation Manual 20K Ball Valves

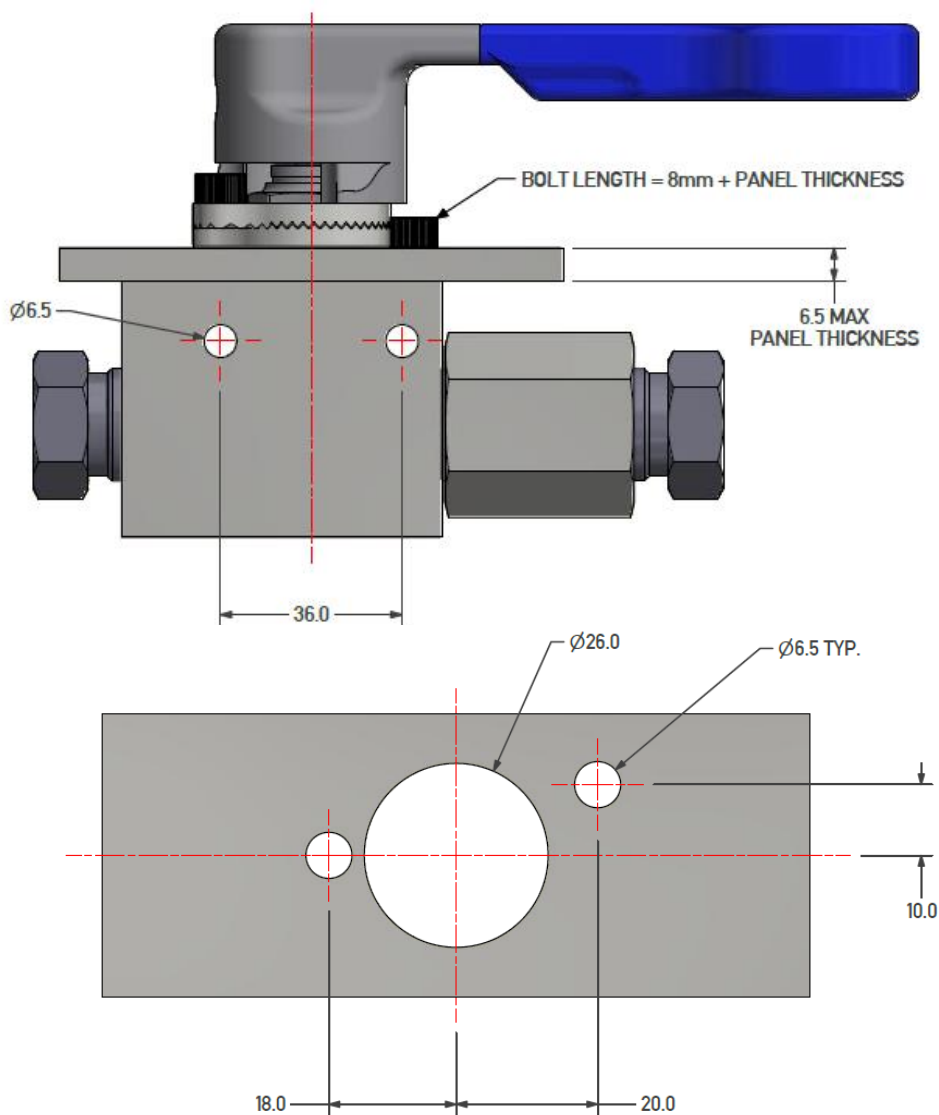
FURTHER INFORMATION

Ball valve maximum Cv Value is 1.56 (Dependant on fitting size).

For Panel Mounting of the 20K Ball Valve please follow the below:

20K Needle Valve Panel Mounting.

1. Unscrew Grub Screw (5) on handle (6) and remove handle from stem.
 2. Unscrew Socket Head Cap Screw (3) from Tru-Loc Plate and remove Tru-Loc Mechanism (4).
 3. Position valve body in panel and fasten into position with an M6 Socket Head Cap Screw (See Bolt Length note below) using mounting hole (8).
 4. Re-fit Tru-Loc plates (4) and secure in position with M6 Socket Head Cap Screw (3) Length 20mm to 7.9 Nm.
 5. Re-fit handle (6) on to stem and secure into position with Grub Screw (5) to 9 Nm.
-



Installation and Operation Manual 20K Ball Valves



WARNING - USER RESPONSIBILITY

FAILURE OR IMPROPER SELECTION OR IMPROPER USE OF THE PRODUCTS DESCRIBED HEREIN OR RELATED ITEMS CAN CAUSE DEATH, PERSONAL INJURY AND PROPERTY DAMAGE.

This document and other information from Parker Hannifin Corporation, its subsidiaries and authorized distributors provide product or system options for further investigation by users having technical expertise.

The user, through its own analysis and testing, is solely responsible for making the final selection of the system and components and assuring that all performance, endurance, maintenance, safety and warning requirements of the application are met. The user must analyse all aspects of the application, follow applicable industry standards, and follow the information concerning the product in the current product catalogue and in any other materials provided from Parker or its subsidiaries or authorized distributors.

To the extent that Parker or its subsidiaries or authorized distributors provide component or system options based upon data or specifications provided by the user, the user is responsible for determining that such data and specifications are suitable and sufficient for all applications and reasonably foreseeable uses of the components or systems.